



EAGLEi 4K

COCKPIT CAMERA + FLIGHT DATA RECORDER

The first of its kind, EAGLEi 4K sets the new standard in lightweight Flight Data Recording technology.

EAGLEi 4K is a dual-media Class C Airborne Image Recorder capturing:

- 4K UHD video
- ATC & cockpit audio
- GPS
- acceleration & rotation/attitude

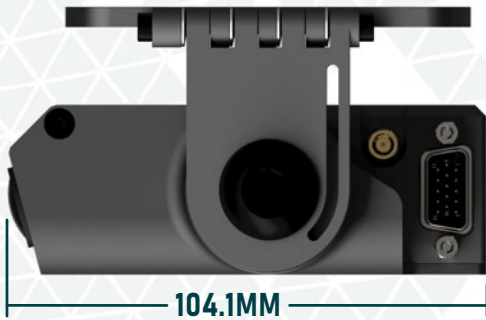
Installing quickly in any aircraft, EAGLEi 4K is trusted on hundreds of aircraft & over 22 airframes worldwide.

There has never been a more affordable way to add safety, accountability, & profitability to your operation.



RUGGED
VIDEO

SPECIFICATIONS



104.1MM

VIDEO

IMAGE RESOLUTION / CODEC	4Kp30 2Kp30 1080p60 720p60 H.264 encoding, file format: MP4 video + 2-ch audio
FIELD OF VIEW (FOV)	126.5° horiz 99.5° vert 135° diag
DATA OVERLAY	GPS, inertial/attitude, date/time
MONITOR OUTPUT	RS-170 composite (NTSC/PAL)

AUDIO

AUDIO INPUTS	2x isolated-ground line-in channels up to 8VPP (3 VRMS)
AMBIENT MICROPHONE	built-in omni-directional condenser microphone
COMPRESSION	AAC at 32KHz

USER INTERFACE

CONTROL	USB record start/stop & audio on/off switches, reset
STATUS LEDS	USB record, system ready, fault
WIRED SWITCH/SENSOR INPUTS	USB rec start/stop, USB audio on/off, engine fault, waypoint trig.
REMOTE INDICATOR OUTPUTS	USB record, fault (LED driving outputs)
CONNECTION	system interface: DE-15; GPS: SMB
WIRING	connector kit or pre-fabricated harness

OPTIONS

MOUNTING BRACKET	short bracket arm for horizontal/ceiling mount long arm for vertical/wall mount compact bracket base option
MEDIA	internal 8hr; USB 4hr to 32hr; low profile; USB media guard opt.
GPS ANTENNA	antenna-on-bracket remote-mount

GENERAL SPECIFICATIONS

POWER	10-32VDC, 3-5watts
WEIGHT & DIMENSIONS	9oz 104.1mm x 87.4mm x 36.8mm
ENCLOSURE	machined 6061-T6 aluminum enclosure, black anodized
MOUNTING	3-axis adjust, locking, machined aluminum mount (mult. styles)
HARDENED INTERNAL MEMORY	128GB (8 hour approx. record time @ 4k30)
REMOVABLE MEDIA	USB 3.0, FAT32 formatted, up to 512GB (32hr)
INTERNAL RECORDING MODE	black box (always recording, overwrites data in FIFO order)
USB RECORDING MODES	black box manual start/stop
REGULATIONS	FAR 135.607 for HEMS/Air Ambulances*, US Forest Service #1202SA22R9201/2/3, NZ Dept. of Conservation, + others

USER CONFIGURATION

VIDEO	encoding, resolution, overlay (GPS, IMU, date/time, placement)
DATA	GPS rate, IMU rate, shutdown timer, USB data file on/off
AUDIO	ambient gain, audio enable switch (USB media), remote PTT input

GPS

DATA LOGGING	WAAS GPS 1 Hz, 5Hz, 10 Hz (Configurable)
GPS ANTENNA	active or passive GNSS antenna (active 27dB antenna standard)
GNSS UPDATE RATE	1Hz, 5Hz, 10 Hz (Configurable)

IMU

SENSE AXES	X, Y, Z, linear & rotational (Pitch, Roll, Yaw)
SENSITIVITY	up to +/- 0.0002g
SAMPLE RATE	1 Hz, 5 Hz, 10 Hz (Configurable)

BATTERY BACK-UP

CAPACITY	520mAh; Charge time 5min to min level; full charge in 2 hrs
RUN TIME	30 sec black box recording after power loss
CERTIFICATION	IEC 62133 Certified FAA AC20-184 Compliant



36.8MM



87.4MM
(97.8MM)

**TRUSTED ON OVER 22
DIFFERENT AIRFRAMES
WORLDWIDE**

Rugged Video, LLC
W66N205 Commerce Ct
Cedarburg, WI 53012 USA

Phone: 262-208-8782
E-mail: sales@ruggedvid.com
Web: www.ruggedvid.com