

▶ Commander Recorder

▶ COMMANDER RECORDER

RV-CMMD-BASE Single Channel

The Rugged Video Commander was designed as a multi-purpose Airborne Recorder.

Features

- 1080p HD Video
- Records to 4 USB Drives
- 2.4" Chroma LCD
- Full Color Logo Overlay
- Pre-Roll Video Intros
- GPS Integration for Overlay and Data File Recording
- Internal Battery

Applications

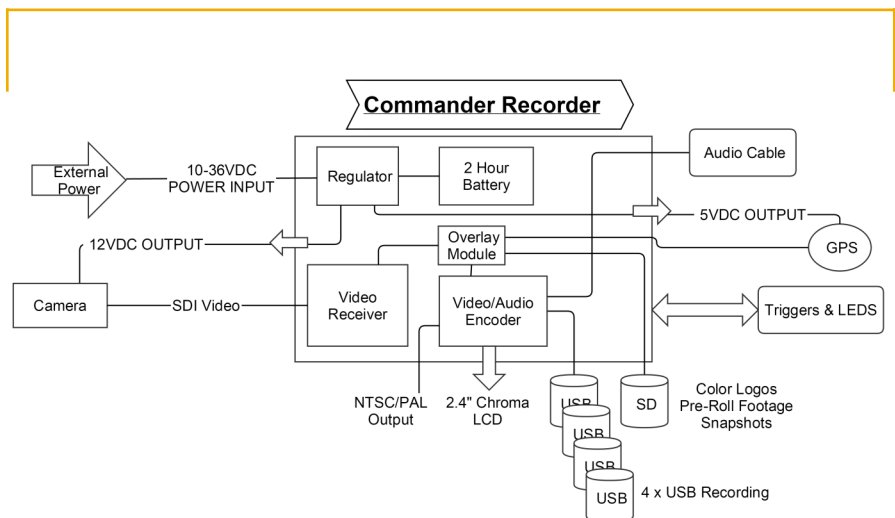
- Flight Training
- Flight Tours
- Aerial Patrol/Mapping
- Flight Testing
- Airborne Law Enforcement
- Mission Recording/Debriefing

Add-on Modules

- Four Channel Switcher
- Four Channel Multiplexer
- MultiLink up to Four Units
- CoPilot Control Module
- Narrator PTT Module



▶ FUNCTIONAL DIAGRAM



RUGGED
VIDEO

Phone: 414-399-3370
E-mail: sales@ruggedvid.com
Web: http://ruggedvid.com

Rugged Video, LLC
10555 N. Port Washington Rd. #204
Mequon, WI 53092
USA

TOP VIEW



FRONT VIEW



SIDE VIEW



REAR VIEW



Specifications

Video

SDI Input	HD-SDI—SMPTE 292M (1080i60, 1080i50, 1080p30, 1080p25, 1080p24, 720p60, 720p50, 720p30, 720p25, 720p24) SD-SDI—SMPTE 259M (576i, 480i)
Resolutions	1080p30, 1080p25, 1080i60, 1080i50, 720p60, 720p50, 720p30, 720p25 480i30, 576i25
Compression/Bitrate	H.264 (AVC, MPEG-4 Part 10) Main Profile 500Kb/s to 12.5Mb/s MPEG-4 500Mb/s to 5Mb/s
Output	Composite/Analog NTSC/PAL

Audio

Input/Sources	External: Analog Stereo, Line Level up to 8V P-P General Aviation, Helicopter (UI74), Bose 6-Pin Microphone, AUX Jack Input, RCA Input, 1/4" Input, XLR input
Compression	AAC at 64Kb/s (16KHz)

Triggers/Indicators

Triggers	Top Panel: Power On/Off, Record, Snapshot, Waypoint, Menu Navigation Rear Connector (Remote Mounting): Record, Snapshot, Waypoint RF Remote: Record, Snapshot, Waypoint (Optional)
Indicators	On Screen: Live Video, Record Status & Duration, Time, Disk Space, Battery Level. Top Panel: Power, Record, Fault, GPS Rear Connector (Remote Mounting): Record, Fault, GPS

Display

Properties	2.4" Chroma LCD 400 cd/m ² (nit) Anti-Glare/UV Coating
Onscreen Elements	Live View & Playback Status: Time/Date, Disk Space, Record Time, Battery Level, Audio Gain, Video Source, Resolution, Encoding Settings Menu: Video, Audio, OSD, Playback, Settings, Record

RUGGED
VIDEO

Phone: 414-399-3370
E-mail: sales@ruggedvid.com
Web: <http://ruggedvid.com>

Rugged Video, LLC
10555 N. Port Washington Rd. #204
Mequon, WI 53092
USA

SINGLE CHANNEL



4 CHANNEL SWITCHER



4 CHANNEL MULTIPLEXER



MULTICHANNEL STACKING



Specifications

GPS/Data	
Input	RS-232 Baud 2400 to 115200 Garmin 18x LVC, 5Hz, Garmin Aviation NAV Standard NMEA 0183
Sample Rate	Overlay: 20Hz KML/GPX: 1Hz or 5Hz Accelerometer: 20Hz
Sentences	GPS: GPRMC, GPGGA, GPGSA, GPVTG CUSTOM: \$ASCII, TEXT 1, TEXT 2, TEXT 3<CR><LF>
Overlay Data	Coordinates (Degrees, Degrees Minutes, Degrees, Minutes, Seconds) Speed (KT, MPH, KPH) Altitude (Meters, Feet) Heading (Degrees) *VTG only Time/Date Custom (Three Lines) G-Force X, Y, Z (Min, Max, Current)
GPS Companion Files	KML & GPX - Synced with Video GPS Supports Waypoints
Media	
SD	SD, SDHC, SDXC (For Snapshots & Pre-Roll Video)
USB	USB 3.0 (SanDisk CZ80 or Better) up to 2TB *Must be extreme performance drive for HD Video & Multiple USB Recording.
Power	
Input	DC 5-36V (10V Required for Camera Power) 4.5W Compatible with 12V, 14V, 24V, and 28V Aircraft Power Systems
Physical	
Temperature Range	Operation: -40°C to +85°C (-40°F to 185°F) Storage: -55°C to +105°C (-67°F to 221°F)
Dimensions L, W, H	4.37" x 3.04" x 1.67" 111mm x 77mm x 42mm
Weight	15.9oz 450g



Phone: 414-399-3370
E-mail: sales@ruggedvid.com
Web: http://ruggedvid.com

Rugged Video, LLC
10555 N. Port Washington Rd. #204
Mequon, WI 53092
USA