

# RV-ONE

Part Numbers:  
RV-RVONE-BASE  
RV-RVONE-BASE2  
RV-RVONE-BASE3



## Exceed Expectations

The Rugged Video **RV-ONE** is a compact rugged high definition video recorder designed for aerospace and military applications. Records video up to 1080p60, GPS data, and audio to SD or USB media.

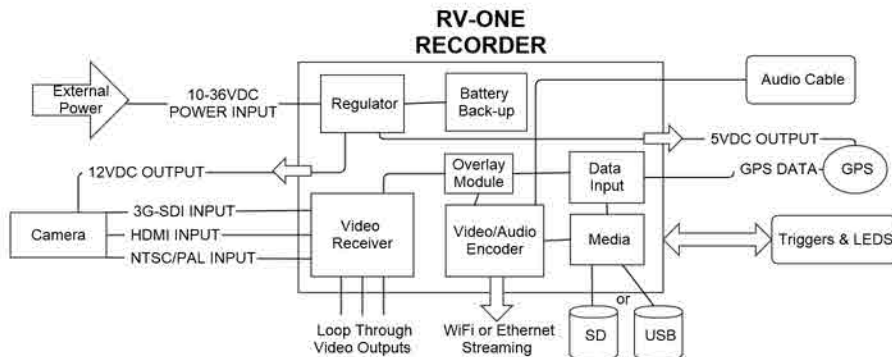
### APPLICATIONS

- |                 |                               |                     |
|-----------------|-------------------------------|---------------------|
| Flight Tours    | Airborne Law Enforcement      | Search and Rescue   |
| Geospatial      | Mission Recording/Debriefing  | Aerial Firefighting |
| Flight Training | Unmanned Vehicle Surveillance | Flight Testing      |

### FEATURES

- High Definition Recording up to 1080p60
- Stack Units, up to 3 Channels, to Record in Synchronous
- Fault Tolerant Recording with Built-in Backup Battery
- WiFi or Ethernet Streaming to Microwave Link, PC, or Tablet
- GPS Data Recording with Waypoint Triggering

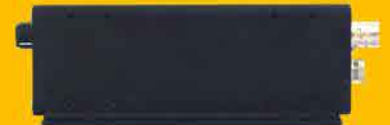
### FUNCTIONAL DIAGRAM



FRONT VIEW



BACK VIEW



SIDE VIEW



TOP VIEW

**RUGGED**  
VIDEO

Rugged Video LLC  
10555 N. Port Washington Rd.  
Mequon, WI 53092

(414) 399-3370  
www.ruggedvid.com

# RV-ONE

## SPECIFICATIONS

### Video

SDI	3G-SDI - SMPTE 424M (1080p60) HD-SDI - SMPTE 292M (1080i60, 1080p30...) SD-SDI - SMPTE 259M (480i, 576i)
HDMI	Version 1.4 (1080p)
Composite	NTSC (720 x 480) PAL (720 x 576)
Resolution	up to 1920 x 1200 at 60fps (Progressive or Interlaced)
Compression	h.264 (AVC) High, Main, and Baseline Profile. MJPEG
Bitrate	200Kb/s-16Mb/s (h.264), 200Kb/s to 55Mbps (MJPEG)
File Type	.AVI

### Audio

Inputs	Analog Stereo, Line Level up to 8V P-P (Aircraft Headset) SDI Embedded HDMI Embedded
Compression	ACC at 64kb/s or 128Kb/s (32kHz, 44.1kHz, or 48kHz) G.711 at 64kb/s

### Triggers/Indicators

Triggers	Record - Front Panel, Remote via Rear Connector Waypoint - Remote via Rear Connector
LED Indicators	Power - Front Panel Record - Front Panel, Remote via Rear Connector, Multilink Fault - Front Panel, Remote via Rear Connector, Multilink GPS - Front Panel, Multilink Harness

### GPS

Input	RS-232 - Baud 2400 - 115200
Sample Rate	1Hz or 5Hz
Sentences	GPRMC, GPGGA, GPGSA, GPVTG
Overlay Data	Coordinates (DMS, DM, D) Speed (KT, MPH, KPH) Altitude Above Mean Sea Level (Meters, Feet) Time/Date
File Type	GPX, KML (Google Earth)

### Data

Input	RS-232 - Baud 2400-115200
Sample Rate	20hz
Sentence	\$ASCII,TEXT 1, TEXT 2, TEXT 3<CR><LF>

### Media

SD	SD, SDHC, SDXC (Class 6 or better) no max size
USB	USB 2.0 (6MB/s write or better) no max size (compatible with most USB 3.0 drives)

### Physical

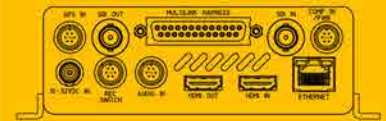
Temperature	-40°C to +85°C (-40°F to 185°F)
Dimensions	4.956" x 1.720" x 4.900" (125.9 x 43.7 x 124.5mm) w x h x d
Weight	22.6oz (640g)

### Power

Input Range	10-32VDC Nominal, 6VDC Minimum, 40VDC Maximum
Current Draw	3.9W (325ma at 12VDC)



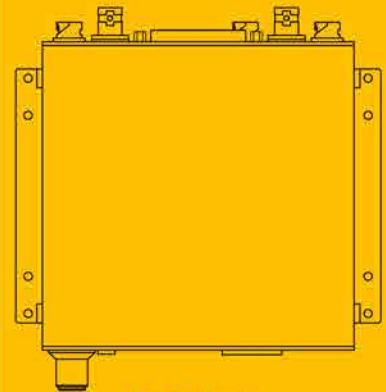
FRONT VIEW



REAR VIEW



SIDE VIEW



TOP VIEW

**RUGGED**  
VIDEO

Rugged Video LLC  
10555 N. Port Washington Rd.  
Mequon, WI 53092  
USA

(414) 399-3370  
www.ruggedvid.com